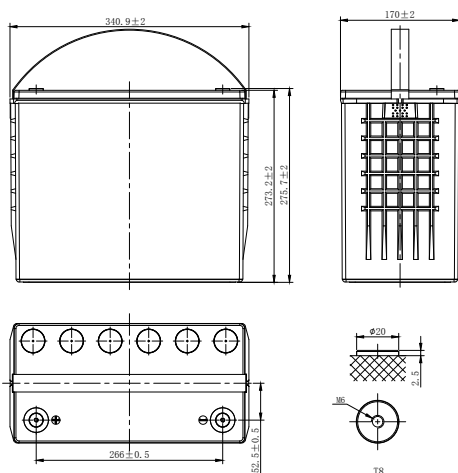


# PLX-PURE LEAD HIGH RATE

## PLX12-620 (12V620W)



### CHARACTERISTICS

Item	Specifications	
Rated Voltage	12V	
Nominal Rate (25°C)	$W_{15}, 1.67V/cell$	620W/cell
Nominal Capacity (25°C)	$C_{10}, 1.80V/cell$	150Ah
Dimension	Length	340.9mm (13.4inches)
	Width	170mm (6.69inches)
	Container Height	273.2mm (10.8inches)
	Total Height	275.7mm (10.9inches)
Approx Weight	44.8kg (98.8lbs)	
Terminal	T8(M6)	
Container Material	PC-ABS (UL94 V-0)	
Short-circuit current	3300A	
Internal Resistance (25°C)	Approx 3.2 mΩ (Fully charged)	
Operating Temp. Range	Discharge	-40~65°C (-40~149°F)
	Charge	-20~54°C (-4~129°F)
	Storage	-20~50°C (-4~122°F)
Nominal Operating Temp. Range	25±3°C (77±5°F)	
Max.Charging Current (25°C)	0.3C	
Charge voltage (25°C)	Standby Use	Equalization Use
	2.27±0.02V/cell	2.35-2.40V/cell
Temp. Coefficient	-3mV/cell/°C	-4mV/cell/°C
	40°C (104°F)	103%
Effect of temp. to Capacity	25°C (77°F)	100%
	0°C (32°F)	86%
	Self Discharge	PLX series batteries can be stored up to 24 months at 25°C(77°F), For higher temperatures the time interval will be shorter.Battery needs to be given a freshening charge when the OCV approach 2.10V/cell or when the maximum storage time is reached, whichever occurs first.

### DISCHARGE TABLE

Constant Current Discharge (Amperes) at 25°C (77°F)															
F.V/Time	5min	10min	15min	20min	30min	45min	1h	1.5h	2h	3h	4h	5h	8h	10h	20h
1.85V/cell	364.0	288.6	249.7	218.6	160.4	117.3	94.2	67.5	54.1	38.7	31.0	26.4	17.7	14.7	7.65
1.80V/cell	419.2	330.4	278.3	238.8	171.4	123.3	98.0	70.4	56.6	40.4	32.3	27.6	18.2	15.0	7.80
1.75V/cell	458.2	361.7	301.5	254.9	182.4	126.8	100.8	72.4	58.2	41.4	33.2	28.2	18.4	15.2	7.89
1.70V/cell	493.6	391.2	320.8	268.1	189.4	131.4	104.7	74.2	59.0	42.2	33.7	28.6	18.7	15.4	7.96
1.67V/cell	551.0	412.0	338.3	278.5	197.0	136.5	107.0	75.7	60.1	42.7	34.2	28.9	18.9	15.5	8.02
1.60V/cell	595.5	419.0	349.8	286.2	200.9	138.6	108.8	76.9	61.0	43.2	34.6	29.2	19.1	15.6	8.08
Constant Power Discharge (Watts/cell) at 25°C (77°F)															
F.V/Time	5min	10min	15min	20min	30min	45min	1h	1.5h	2h	3h	4h	5h	8h	10h	20h
1.85V/cell	698.9	564.3	491.2	432.2	318.7	234.3	188.6	135.3	108.7	78.1	63.0	53.7	36.1	30.2	15.8
1.80V/cell	793.6	639.8	542.0	467.8	337.8	244.4	195.0	140.3	112.9	81.0	65.1	55.9	37.2	30.7	16.1
1.75V/cell	857.2	693.9	582.1	494.7	356.2	249.0	199.0	143.3	115.4	82.6	66.5	56.8	37.3	31.0	16.2
1.70V/cell	908.7	741.9	611.9	514.8	366.0	255.6	205.0	145.9	116.3	83.7	67.2	57.3	37.7	31.2	16.2
1.67V/cell	956.6	775.7	620.0	531.5	378.8	263.9	208.4	147.9	117.7	84.1	67.8	57.5	38.0	31.3	16.3
1.60V/cell	978.0	781.2	656.3	541.1	382.3	265.7	209.9	148.9	118.4	84.4	67.8	57.5	38.0	31.3	16.3

# PLX-PURE LEAD HIGH RATE

## PLX12-620 (12V620W)



### APPLICATIONS

- UPS
- Emergency lighting
- Emergency Power supply
- Electric starting
- Power tools

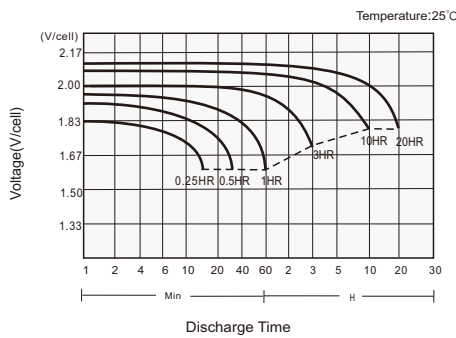
### GENERAL FEATURES

- 15 years design life (25°C)
- Utilizes TPPL technology, thin positive grids and unique manufacturing process to maximize corrosion resistance and service life while increasing energy density
- Specifically designed for high-rate discharge applications
- Wide Wpc range of front and top terminal monoblocs
- UL 94 V-0 Case and cover heat sealed and 100% tested to prevent leaks

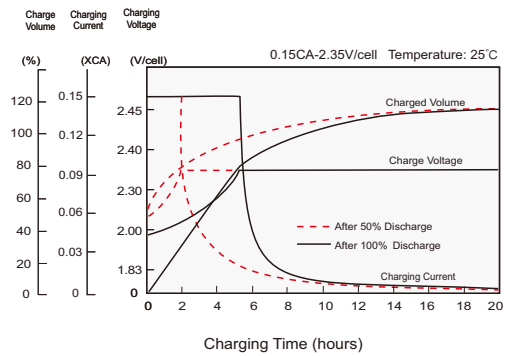
### STANDARDS

- Compliance with IEC 60896 standards
- Classified as "Very Long Life" according to Eurobat
- CE,UL Approved
- Manufactured in Leoch@IATF 16949, ISO 45001,ISO 9001 and ISO 14001 certified production facilities

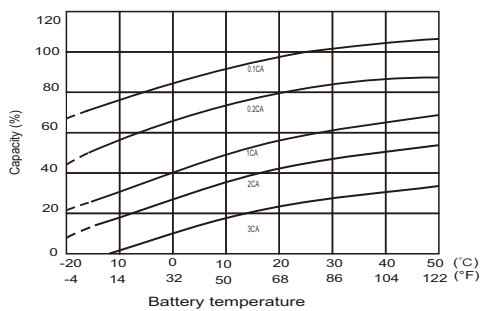
#### Discharge Characteristics



#### Charging Characteristics



#### Effects of Temperature on Capacity



#### Self Discharge Characteristics

